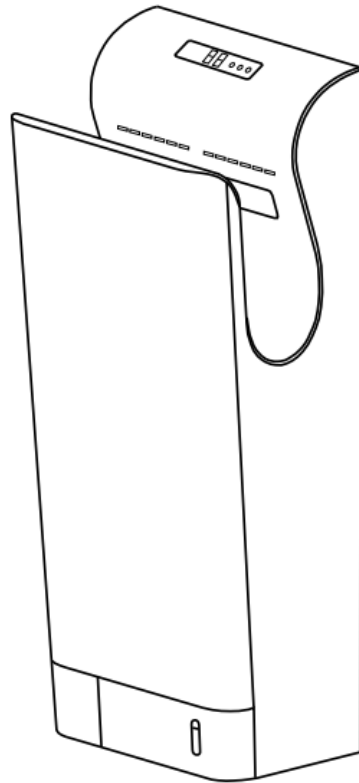


Hand Dryer

Model: ATC-Premblade15

Installation & User Manual



Contents

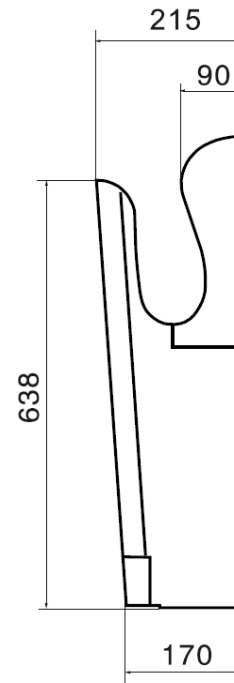
Contents	2
Specification, Packing List, Mounting Height	3
Precautions before installation & Installation Location	4
Installation	5
Operation	8
Routine Cleaning	7
Troubleshooting & Electrical Diagram	8
Part Names and Dimensions	9
Warranty	10

► This hand dryer should be installed by a qualified electrician or a trained service technician.

► Read this manual thoroughly before using the hand dryer to ensure safe and correct operation. Please keep this manual in a safe place for reference at a later date

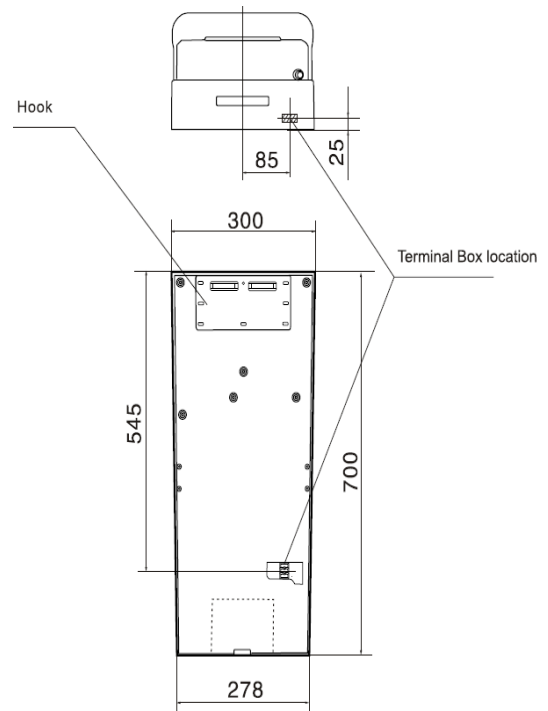
Specification

Product Code	ATC-PremBlade15
Finish	Silver
Warranty	3 years
Activation	Automatic
Voltage	220-240V AC 1~
Frequency (Hz)	50/60
Power output (W)	975 + 1000 (heater) @ 230V
Motor power (W)	975
Current (A)	8.5 @ 230V
Air Speed	95 m/s
Sensor (Adjustable or Fixed)	Fixed
Noise Level (dB @ 1m)	70
Filter	Replaceable HEPA
Approvals	RoHS CE CB UL
Motor thermal Protection	Turns unit off at 95°C
Heater Thermal Protection	Turns unit off at 100°C
IP Rating	X4
Dimensions (WxHxD mm)	300 x 700 x 215
Weight	9.5kg



Packing List

ATC-PremBlade15	1
Installation Plate	1
Cleaning Brush	1
5mm Plastic Wall Plug	6
5x 30mm Self tapping screws	6
User Manual	1
Usage label	1



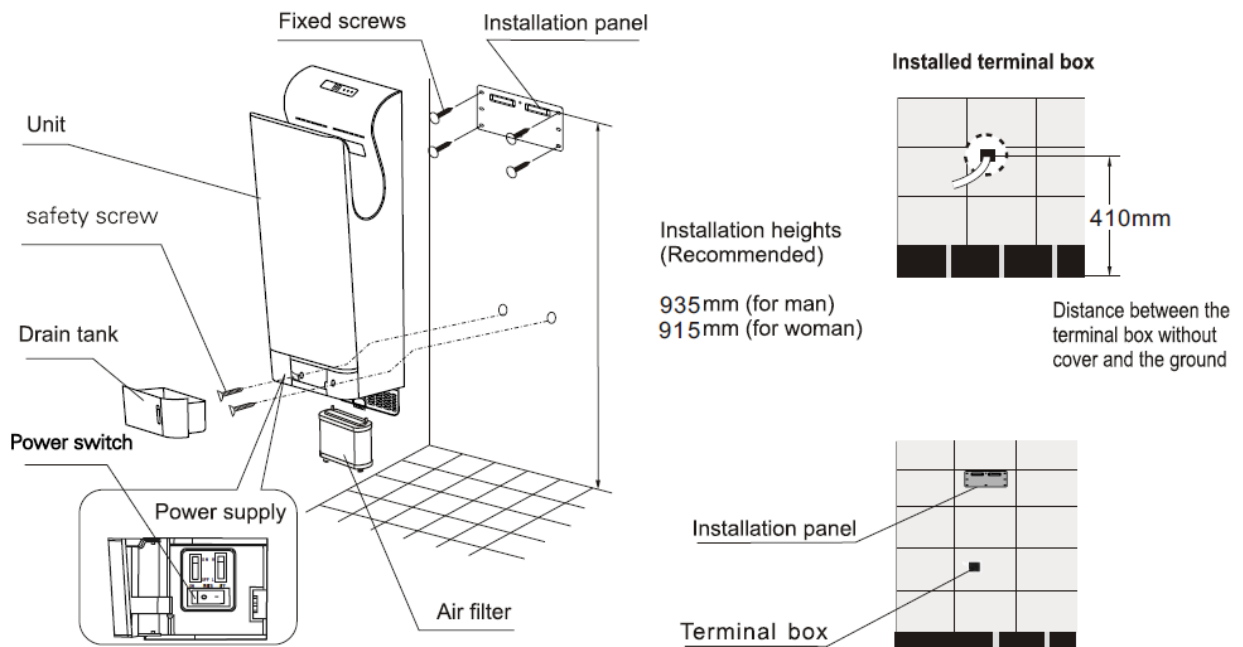
Precautions before installing

Do not install the unit in the following locations; installation in these areas will cause the unit to malfunction:

- Locations where the unit is under direct sunlight or where direct sunlight can pass over the unit.
- Locations where the unit can come into direct contact with water.
- Locations where there is high levels of humidity and condensation.
- Locations where corrosive, reductive or neutral gases are present.
- Locations where the temperature can fall below -10°C or exceed 40°C .
- Locations that are lower than -20m or higher than 2000m above sea level.

Installation Location

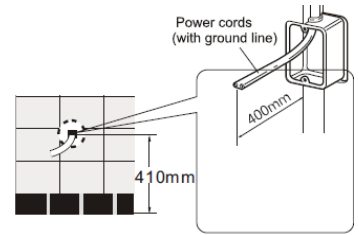
- Install the unit where it will be easy to use as shown in the figure below.
- Please use a dedicated fused spur for each hand dryer.
- The hand Dryer must be reliably earthed.
- The bottom of the unit must be be at least 150mm above the floor to allow for airflow into the hand dryer.
- The left side of the unit must be at least 150mm away from walls as the power switch is accessed from the left side of the hand dryer.
- Do not mount the hand dryer behind doors where the opening of the door may damage the dryer.
- The Mounting plate must be mounted on a completely flat surface. If the wall is not flat, mount a flat timber or board on the wall to give a completely flat surface to mount the hand dryer on to.
- Do not install the hand dryer with the power connected; the dryer must be connected by a qualified electrician when being installed



Installation

1. Install a wall box.

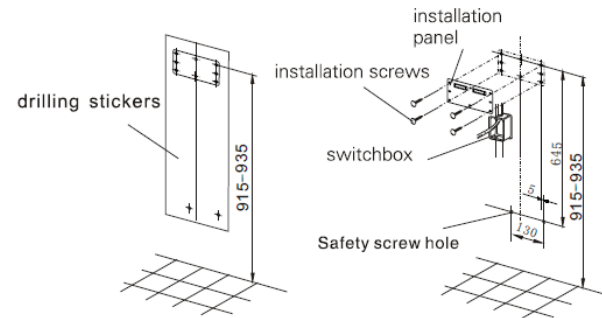
Install a flush mounting wall box as per diagram 1
NB. If a wall box is not used the power cable will not sit flush with the wall and prevent the unit from being firmly installed against the wall.



2. Install the mounting panel to the wall

Install the mounting plate supplied with the hand dryer to the wall using appropriate fixings. At least 6 fixings should be used as indicated.

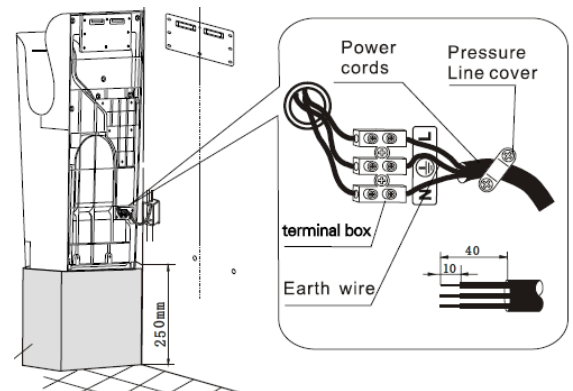
Make sure wall is capable of supporting the weight of the dryer before installing the installation panel



Connecting to Fixed wiring

- 1) Terminate the cable from the hand dryer into the flush mounting wall box.
- 2) Attach the dryer to the wall using the 3 hooks on the mounting panel.
- 3) Secure the dryer to the mounting plate with the fixing screw in the lower right side (behind the drip tray)

The installation screw will not tighten if the lower hook is not completely inserted. Ensure the dryer is fixed to the installation panel with the fixing screw otherwise the dryer is liable to be damaged when it is subjected to knocks etc during use.



Important

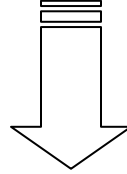
Do not operate the power or heat switches with your hands inside the dryer opening.

If the self check indicator on the display lights or is flashing, turn off the power switch, wait 1 minute, and then turn the power switch back on

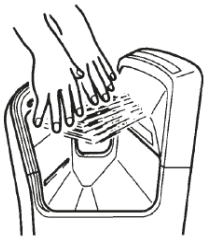
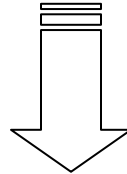
Operation



Stretch out both wet hands and insert them all the way into the hand dryer until the dryer starts



Pull your hands out slowly, letting the air blow the water off. This will take between 10 and 15 seconds



Pull your hands out completely

Should a malfunction occur the self check indicator pilot light on the right hand side of the display will either light up or flash. Alternatively an error code such as E2 may come up on the display.

If this happens turn off the hand dryer and wait one minute until all the indicators and the display turn off. After this time switch the power back on. If the indicator is still flashing and/or the error code is on the display please contact the ATC Technical Department for advice.

Routine Cleaning

Cleaning the Unit body

- Before cleaning switch off the power to the hand dryer. Do not spray water on the hand dryer
- Wear gloves when cleaning the hand dryer.
- Clean the unit with a soft cloth, If the Unit gets very dirty clean with a soft cloth dampened with a neutral cleaning agent, and then clean with a dry soft cloth.
- Remove dirt from the sensor areas

NOTE	<ul style="list-style-type: none"> • Only use Neutral cleaning agents • Do not use thinner, acidic, or alkaline cleaners or Nylon brushes; these will damage the finish of the unit. • Only use denatured alcohol to clean the hand drying area • If chemically impregnated cloths are used, read their instructions first and make sure that they comply with the above.
------	---

- The antibacterial coating is effective when bacteria are exposed to the coated surfaces. The coating is not effective when the unit becomes very dirty

Draining and Cleaning the Drain tank. (Every Week or as necessary)

- Empty and wash the water collection tray located at the bottom of the dryer whenever it is full or at least once per week
- If accumulated water is standing in the tank for too long a period it will start to smell.

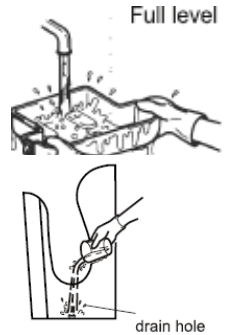
1. Pull the tank out in a horizontal direction toward you.
2. Open the cover and empty the water from the tank, (pull the cover in the direction of the



arrow on top of the cover. and then remove the cover completely.

3. Wash out the interior of the drain tray

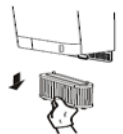
4. Re-install the cover of the drain tray and re-attach to the hand dryer



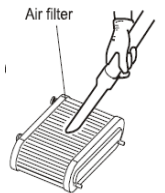
- After confirming the tank is in the correct position, pour 200ml of water through the drain hole to prevent it clogging up. (empty the drain try after this procedure)

Cleaning the Filter (Every week or as necessary)

- Remove the air filter by pulling out the filter by the handle
- To clean the air filter, lightly beat the edge of the filter by hand or use a vacuum cleaner



- If the filter is very dirty wash in warm soapy water, rinse and dry.
- Replace the filter back into the dryer, making sure it is inserted completely. Failure to use the dust filter will impact on the efficiency of the hand dryer and may affect the service life of the unit.



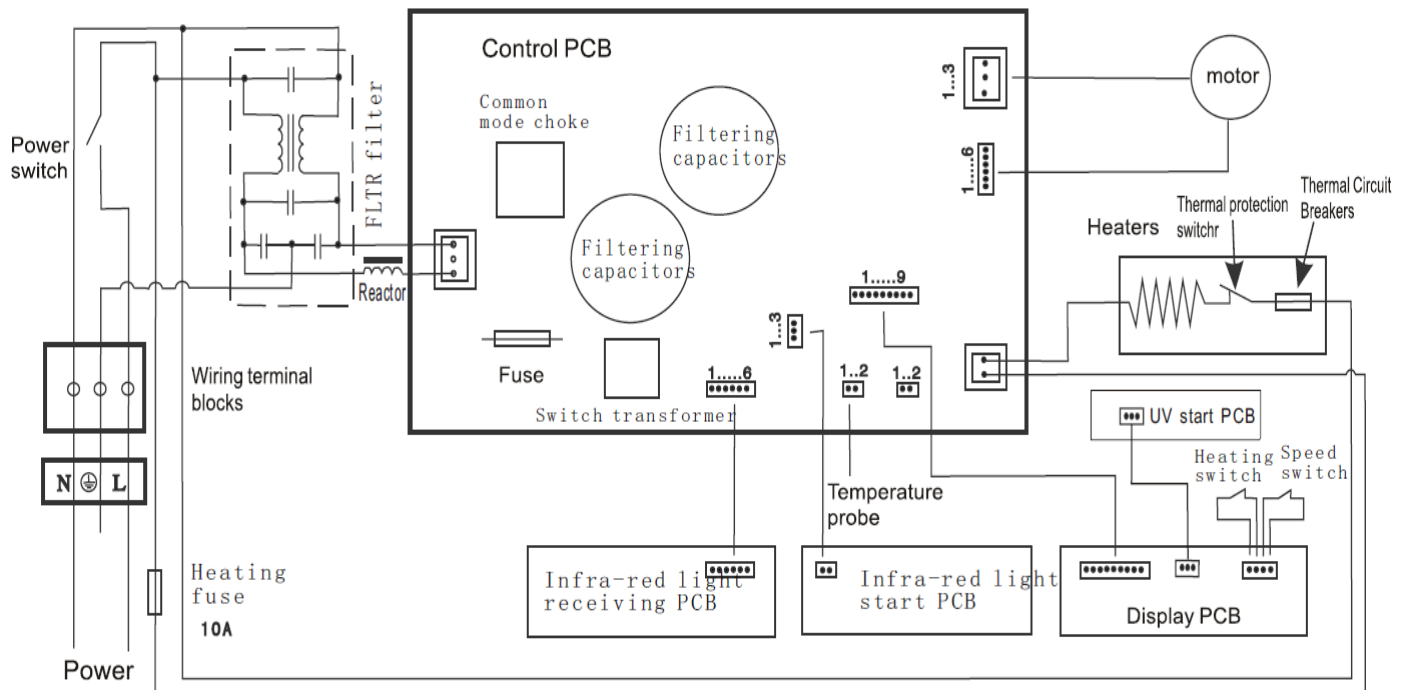
NOTE:

- If you wash the air filter make sure it is completely dry before placing back into the hand dryer.
- Do not expose the filter to fire or high temperatures as this will damage the filter

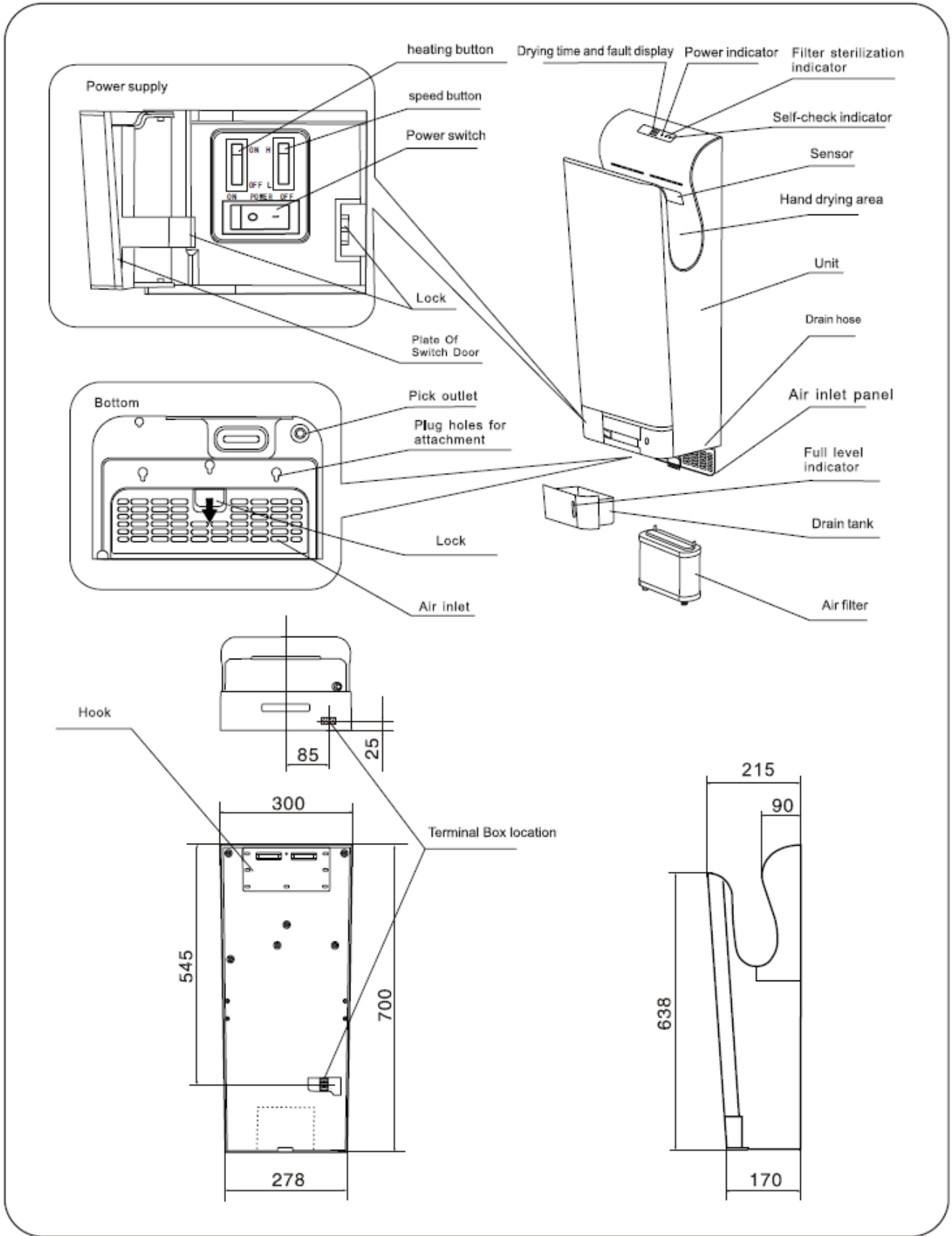
Troubleshooting guide

Symptom	Inspect	Solution
No airflow even when hands are inserted.	Do the display indicators light up? Is the power switch on? Are you putting your hands all the way into the dryer to activate the sensors?	Check the main circuit breaker and also the fused spur to make sure there is power to the hand dryer. Make sure you cover both sensors with your hands when using the hand dryer.
The dryer continues to operate even after hands are removed and eventually shows E2.	Is there any dirt or obstruction in front of the sensors?	Turn off the power switch and then clean the inside of the hand dryer paying particular attention to the sensors located near the LED lights. When finished turn power back on.
The airflow is cold.	There is a built in heater in the hand dryer, Check to see if the heat switch is turned on. Check to see if the fuse in the terminal block or inline fuse to the element is blown. Check to see if there is any dirt or obstruction on the heater element. Check to make sure there is continuity through the element.	Turn off the power switch and check the heat switch, if it is off then turn it on. Check the fuse; if it is blown replace it with one of the same size and type. Check the element for continuity, dirt, or obstructions.
The airflow is not fast enough.	Check the air speed switch.	If the switch is on low then change it to high.
If the above solutions do not solve the problem, turn off the power to the hand dryer and call your installer or the ATC Technical Department for advice.		

Electrical schematic



Part Names and Dimensions



Warranty

ATC Electrical & Mechanical provides a limited 3-year parts warranty for the ATC-PremBlade15 blade hand dryer as long as the following conditions are followed:

1. Installation and use of the ATC-PremBlade15 blade hand dryer is in accordance with the instruction manual, which is packed with each ATC-PremBlade15 blade hand dryer.

In order to arrange service for the hand dryer the following information is required.

Receipt number _____

Serial number of the Hand Dryer: _____

Date of Manufacture _____

Date of Purchase _____



For Sales and Service enquiries please contact ATC on the numbers below.

ATC Electrical & Mechanical,
ATC House,
Broomhill Drive
Tallaght
Dublin 24
IRELAND

PH 003531 4625111
FX 003531 4520887
Email: sales@atc.ie

ATC Electrical & Mechanical
Innovation Centre
Gallows Hill
Warwick
CV34 9PL
UNITED KINGDOM

PH 0044 203 5649164
FX 00353 1452 0887
WEB: www.atc.ie

- ***Environmental Protection***
Waste electrical products should not be disposed of with household waste, please recycle this product where the facilities exist. Please check with your local authority.