

Instructions for use and installation

Radiant electric heating panel: ECOSUN S+ ECOSUN S+ ANTICOR

1. Basic technical data

Type	Wattage W	Voltage V	Protection class	IP	Dimensions mm	Weight kg
ECOSUN S+ 06 *	600	230/400V 3N	I	IP 44	650 x 250 x 60	4,9
ECOSUN S+ 08 *	850					
ECOSUN S+ 09	900	230 V 1N			1550 x 150 x 60	7,8
ECOSUN S+ 12	1200					
ECOSUN S+ 18	1800	230/400V 3N			1550 x 250 x 60	12,35
ECOSUN S+ 24	2400					
ECOSUN S+ 30	3000					
ECOSUN S+ 36	3600					

* version Ecosun S+

2. Use

Radiant panels are intended for the heating of large spaces, mainly industrial halls and workshops, etc., warehouses, shops, function halls and sports halls. They can also be used for the local heating of designated areas (zonal temperature maintenance).

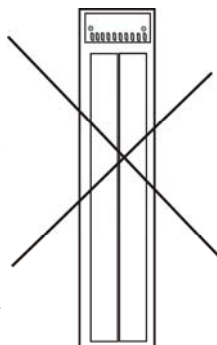
The **ECOSUN S+ ANTICOR** model is intended for environments with an increased risk of corrosion.

The panel is constructed for use in environments with splashing water. However, rapid cooling of the panel when it is hot can result in irreversible damage to it.

3. Installation

Installation of these panels may only be carried out by a person with a specialized qualification. The electrical wiring must comply with the valid norms in the country of installation. The panels can either be hung from the ceiling on four fixtures using a chain or cords, or with the help of installation brackets. The minimum load of the applied chain and wire rope must be 100 kg. The brackets are supplied disassembled in the terminal and need to be attached before installation of the panel. The brackets can be supplemented with a swivel bracket – an inclinable bracket (not part of the product package).

The radiant panel can be installed at an angle as well as vertically. However it must not be installed at an angle or vertically in such a way that the terminal is the highest part of the panel. There is higher convection of heat when the panel is in a tilted position and this heat would irreversibly damage the electrical components of the terminal.



Typ	Spacing	Note
ECOSUN S+ 06	100 x 300	<ul style="list-style-type: none"> — diameter of the opening in the brackets: 6 mm — when handling the panel, it is not advisable to touch its radiant surface with dirty hands
ECOSUN S+ 08		
ECOSUN S+ 09	40 x 1000	
ECOSUN S+ 12		
ECOSUN S+ 18	100 x 1000	
ECOSUN S+ 24		
ECOSUN S+ 30	200 x 1000	
ECOSUN S+ 36		

Spacing of grips at the back side of the panel:

After insertion, it is advisable to secure it in position with the use of positioning screws to prevent it from sliding out.

- Clearance distances from flammable objects:

from the radiant surface (temperature up to 380°C): 100 cm

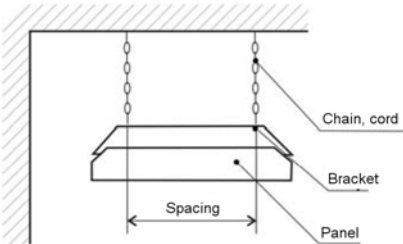
from the top edge at the distance of the mounting brackets

from other parts of the panel: 25 cm

- Lowest height above the floor: 350 cm (recommended value)

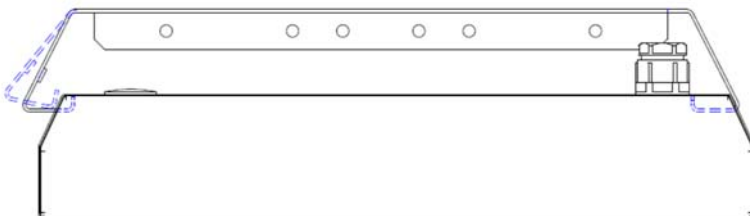
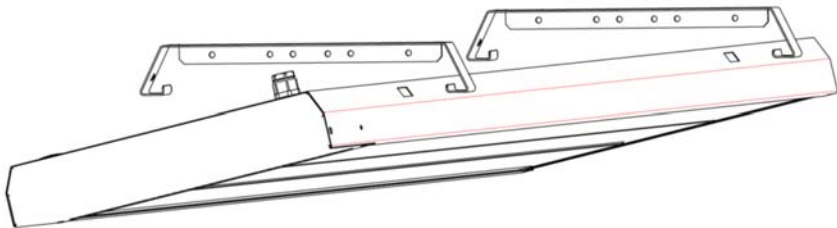
- The mutual distance between panels is usually greater than the height of their installation above the floor

- The panel must not be placed directly under an electric socket.



Installation using a fixing bracket

- Attach the mounting frame so that the opening for the positioning screw is accessible. Slide one side of the panel onto the holder.
- Slide the panel onto the other part of the holder and secure it with a screw.



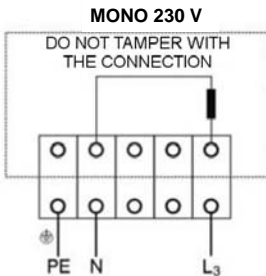
4. Connection of the panels (see Fig. 1)

The supply cables can be interconnected (looped) directly in the terminals of the panels. A shutoff device, in which the distance between disconnected contacts is at least 3.5 mm for all poles, must be built into the distribution system. Regulation is provided via room thermostats with time switching (offered by FENIX) which switch power relays or contactors. For larger buildings, a microprocessor control system is suitable. In special cases, regulation needs to be considered depending on the situation (zonal temperature maintenance, etc.).

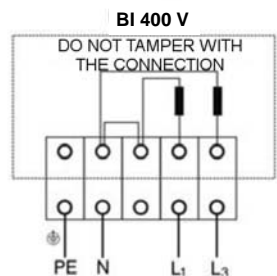
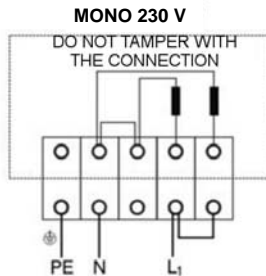
ECOSUN S+ 30-36 panels can be regulated via symmetrical shutoff of the segments (level 1 - central segment, level 2 - both edge segments, level 3 - all segments switched off).

Any alterations made to the factory connection in the terminal will result in the destruction of the heating lamellas. In order to comply with the warranty conditions, the customer may only make alterations in the part of the terminal which is used for the connection of the supply cable.

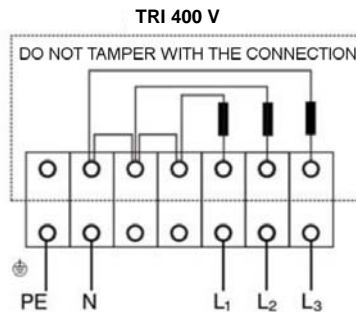
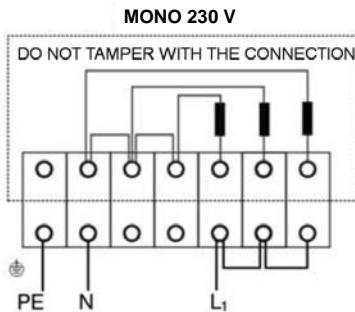
Ecosun S+ 09 - 12



Ecosun S+ 18 - 24 and 06 - 08



Ecosun S+ 30 - 36



5. Maintenance

This is limited to cleaning the panel by dusting it or wiping it with a moist cloth and detergent. The radiant surface is not cleaned.

Dust deposits and dampness on the surface of the product lead to the corrosion of components. **Remove the dust and dirt, which absorbs dampness, at least once a year (at least twice a year in environments with higher humidity, mineral substances in the atmosphere or excessive dust).**

6. Warranty conditions

24 months from the date of sale. The warranty does not cover faults caused during transportation, unsuitable storage or unqualified installation.

You can find the current and full warranty conditions at: www.atc.ie

7. Warning

- When the panel heats up for the first time, the thermal insulation is burnt, which causes a harmless smell (smoke) for a period of max. 60 minutes. Do not touch the heating segments, which are covered by a Silicating layer, in order not to make the radiant surface dirty (if contact with the segments is necessary, you may use clean textile gloves only). After installation, remove the protective foil which protects the radiant surface. The ambient temperature (the temperature of the surrounding air) around the ECOSUN radiant panel must not exceed 30°C.
- The appliance must not be covered by insulation materials.
- Roof joists, beams and rafters must not be sawn or cut for the installation of this appliance.
- Be careful to choose the right type of anchoring element (wall plug), particularly when dealing with plasterboard/gypsum fibreboard and porous concrete structures. If necessary, consult a specialised firm or manufacturer about anchoring - for example <http://www.fischer.co.uk/Home.aspx>
- ***Ecosun S+ panels are not intended for areas where water vapour or dampness containing salt, cleaning agents, etc. occurs, as such conditions speed up the corrosion of metal parts. Examples of unsuitable locations for installation: in a car wash - including areas with technical equipment, at water treatment and cleaning plants, by the sea, etc.***
- This heater isn't fitted with a room temperature control device. Do not use this heater in small rooms if they are occupied by people who cannot leave the room by themselves unless permanent supervision is provided.
- This appliance can be used by children from the age of 8 and persons with lower physical, sensory or mental abilities or a lack of experience or knowledge providing they are under supervision or have been trained in the use of the appliance in a safe manner and understand the possible danger. Children may not play with the appliance. Cleaning and maintenance by the user must not be carried out by children without supervision.
- Children under 3 years of age should be prevented from accessing the appliance, unless they are constantly supervised. Children from 3 to 8 years of age may switch the appliance on/off only if it is placed or installed in its intended standard operating position and if they are under supervision or have been instructed in the safe use of the appliance and if they understand the possible danger. Children from 3 to 8 years of age mustn't insert the plug into the socket, control or clean the appliance or carry out maintenance that is to be done by the user.

WARNING – Some parts of this product may become very hot and cause burns. Special attention must be paid to this fact in the presence of children and handicapped persons.

Date of sale:.....

Production number:.....

Retailer:.....



atc
HEATING &
VENTILATION
DISTRIBUTORS